


**SPECIFICATIONS FOR 2016 FCM CATALOG**

<b>FCM-2021 SERIES OCCASIONAL TABLES</b>						
 <p>FCM 2021 Occasional Table Shown with tabs for wood or granite.</p>	<b>BASE SIZE</b>	<b>Matte Black Powder Coat</b>	<b>Silver or White Powder coat</b>	<b>Satin Chrome</b>	<b>Polish Chrome</b>	<b>Medium Antique Bronze</b>
	FCM-2021-21R x 15 21" Dia X 15" High	375	400	425	460	525
	FCM-2021-21R x 19 21" Dia X 19" High	385	410	435	470	535
	FCM-2021-24R x 15 24" Dia X 15" High	425	440	450	490	555
	FCM-2021-24R x 19 24" Dia X 19" High	435	450	460	500	585
	FCM-2021-30R x 15 30" Dia X 15" High	460	485	505	540	605
	FCM-2021-30R x 19 30" Dia X 19" High	470	495	505	540	625
	FCM-2021-36R x 15 36" Dia X 15" High	495	525	560	610	675
	FCM-2021-36R x 19 36" Dia X 19" High	515	540	560	610	695
	FCM-2021-37R x 8 37" Dia X 8" High	525	550	535	585	650
	FCM-2021-37R x 15 37" Dia X 15" High	545	570	565	605	695
	FCM-2021-37R x 19 37" Dia X 19" High	555	580	565	605	713

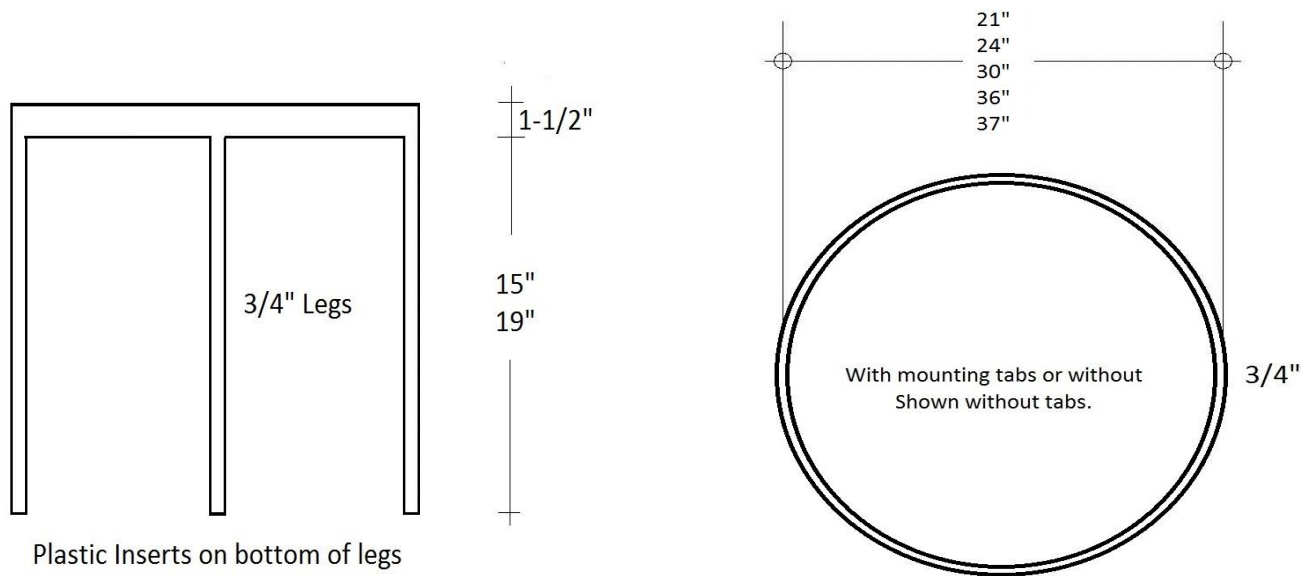
*Fantasy Creations in Metal Inc.*

*Ph-951.280.0438*

*Fax~951.280.0458*

*Metalsdiva@FCMetals.com*

*www.FCMetals.com*



### **FCM-2021 OCCASIONAL TABLE SPECIFICATIONS:**

Lead time: Four Weeks Powder Coated. Five Weeks Plated.

Our upgraded Occasional Tables are now bolder, and have smoother transition details. The 3/4" thick solid legs are welded flush under the round top ring that is a solid 3/4" wide x 1-1/2" deep.

These bases will complement any room you put them in. From your conference room to your family room, this base will add the perfect touch of class.

*\*\* All pricing is for metal base only. \*\*FCM will gladly supply your wood or granite upon request.*

*\*\*Finished on all surfaces for glass top. Specify Glass Top (GT) \*\*Tabs are added at top for wood or granite top:*

*\*\* WE ALWAYS NEED TO KNOW WHAT TYPE OF TOP YOU ARE USING TO INSURE MOUNTING TABS OR NOT.*

*\*\*Please Specify, Wood Top (WT). Granite Top (GRNT).*

*Standard tab locations are 1/2" down from top for bolting your inset top, but they can be placed in any location or removed completely for your clear glass or over-sized top.*

*\*\*Automatic Discount: 20 each = 5%. Additional quantity discounts are available.*

*\*\*Additional Sizes and Modifications are available. \*\*Additional Finishes are available.*

***\*\*Please specify finish when placing order: Matte Black (MB). Silver (SLVR).***

***\*\*White (WH). Satin Chrome (SC). Polished Chrome (PC) Medium Antique Bronze (MAB)***

*Fantasy Creations in Metal Inc.*

*Ph-951.280.0438*

*Fax~951.280.0458*

*Metalsdiva@FCMetals.com*

*www.FCMetals.com*

